

Poly **TEC**[®] SHUTTERS

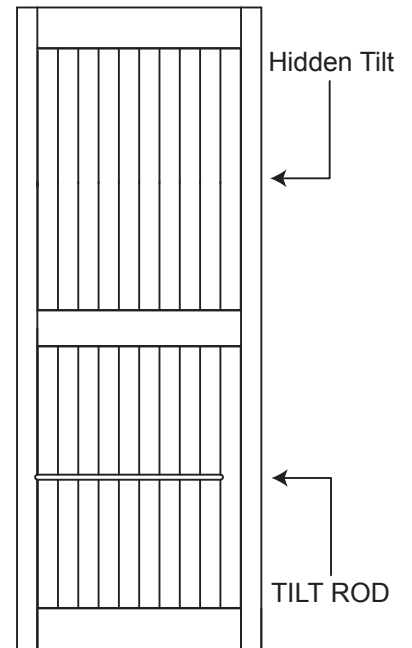
Technically Engineered
Commercial Shutter

SHUTTER DETAILS

VERTICAL SHUTTER APPLICATION DRAWING

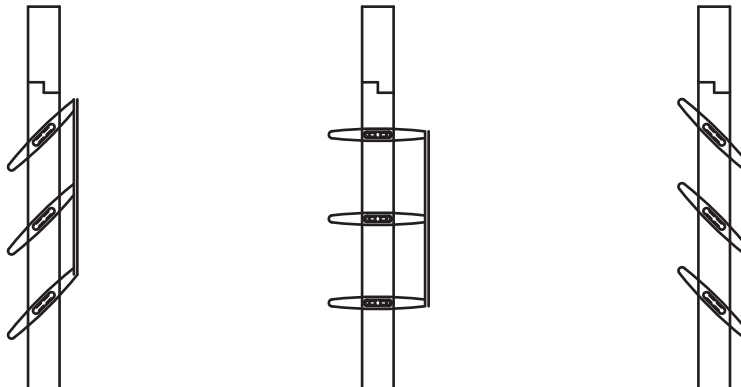
VERTICAL SHUTTERS	2 1/2" VERTICAL LOUVER
PANEL THICKNESS	1 1/8"
PANEL WIDTH	MINIMUM 8 1/2" MAXIMUM 40 1/2"
PANEL HEIGHT	MINIMUM 11" MAXIMUM 96"
RAIL HEIGHT	TOP 4" DIVIDER 3 1/2" BOTTOM 4"
LOUVERS	2 1/2"
SPECIAL NOTE	THE WIDTH OF THE PANEL MUST INCREASE BY 2" INCREMENTS FROM 8 1/2" 2" INCREMENTS FOR 2 1/2" LOUVERS 3" INCREMENTS FOR 3 1/2" LOUVERS 4" INCREMENTS FOR 4 1/2" LOUVERS

2.5 LOUVER
VERTICAL



Also available in
3 1/2" and 4 1/2" louvers.

Hidden Tilt APPLICATION DRAWING



Hidden Tilt MECHANICAL DRAWING, CUT SECTION