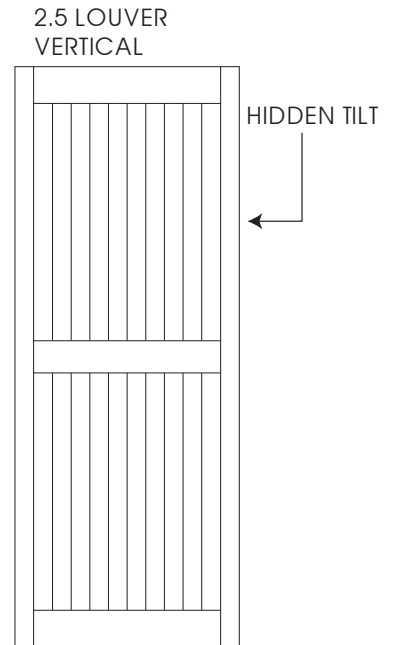




SHUTTER DETAILS

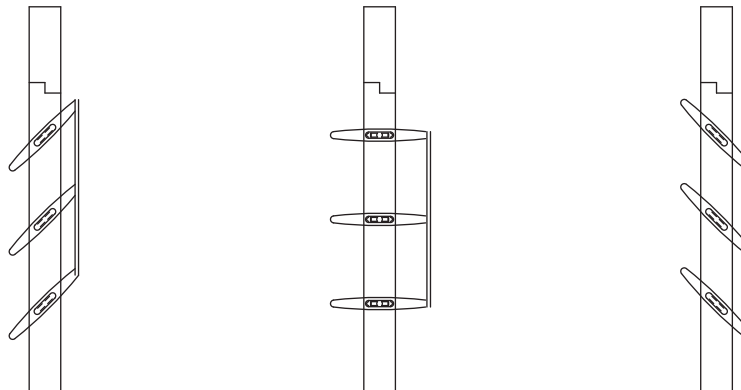
VERTICAL SHUTTER APPLICATION DRAWING

VERTICAL SHUTTERS	2 1/2" VERTICAL LOUVER
PANEL THICKNESS	1 1/8"
PANEL WIDTH	MINMUM 8 1/2" MAXIMUM 40 1/2"
PANEL HEIGHT	MINIMUM 11" MAXIMUM 96"
RAIL HEIGHT	TOP 4" DIVIDER 3 1/2" BOTTOM 4"
LOUVERS	2 1/2", 3 1/2", 4 1/2"
SPECIAL NOTE	THE WIDTH OF THE PANEL MUST INCREASE INCREMENTALLY ACCORDING TO LOUVER SIZE 2" INCREMENTS FOR 2 1/2" LOUVERS 3" INCREMENTS FOR 3 1/2" LOUVERS 4" INCREMENTS FOR 4 1/2" LOUVERS



ALSO AVAILABLE IN
3 1/2" AND 4 1/2" LOUVERS

HIDDEN TILT APPLICATION DRAWING



HIDDEN TILT MECHANICAL DRAWING, CUT SECTION

