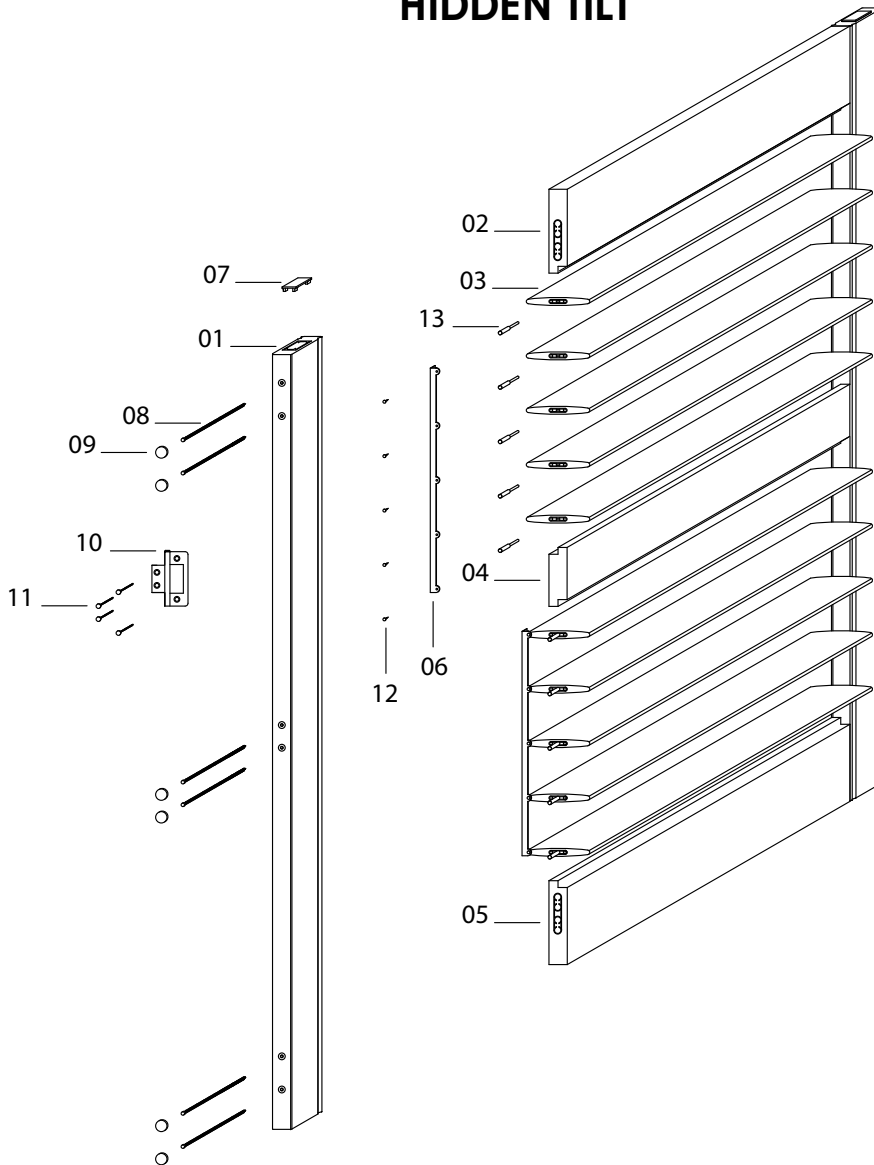


**POLYTEC® SHUTTERS HORIZONTAL LOUVER  
HIDDEN TILT**



01 STILE

02 TOP RAIL

03 LOUVER

04 DIVIDER RAIL

05 BOTTOM RAIL

06 HIDDEN TILT

07 STILE CAP

08 STILE SCREW

09 SCREW CAP

10 HINGE

11 HINGE SCREW

12 HIDDEN TILT NAIL

13 LOUVER PIN