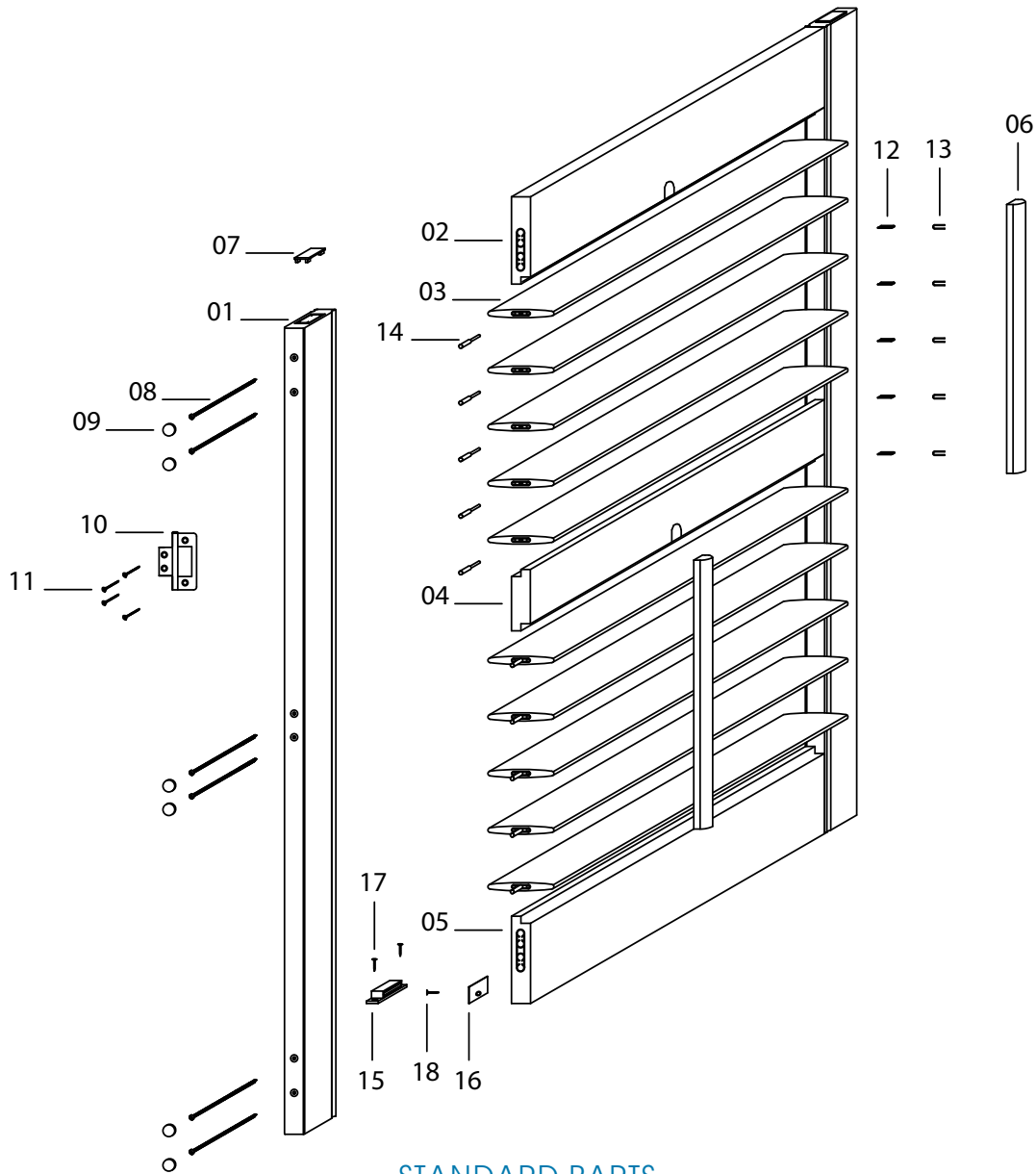


**POLYTEC® SHUTTERS HORIZONTAL LOUVER  
FRONT TILT ROD**



**STANDARD PARTS**

01	STILE	07	STILE CAP	13	TILT ROD STAPLE
02	TOP RAIL	08	STILE SCREW	14	LOUVER PIN
03	LOUVER	09	SCREW CAP	15	MAGNET
04	DIVIDER RAIL	10	HINGE	16	MAGNET CATCH
05	BOTTOM RAIL	11	HINGE SCREW	17	MAGNET SCREW
06	TILT ROD	12	LOUVER STAPLE	18	MAGNET CATCH SCREW